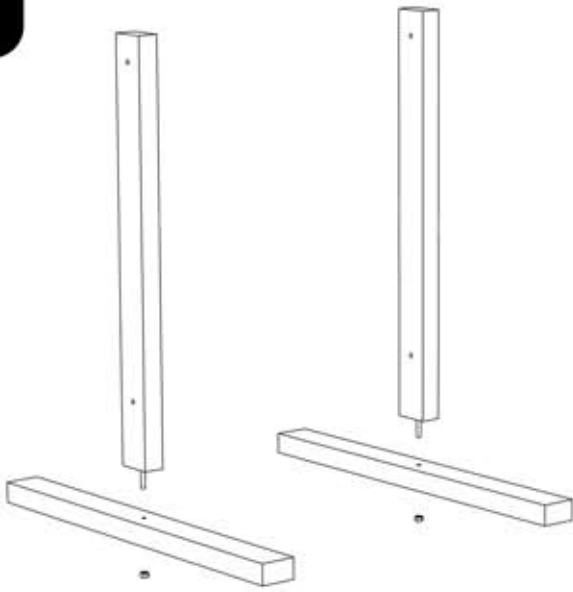
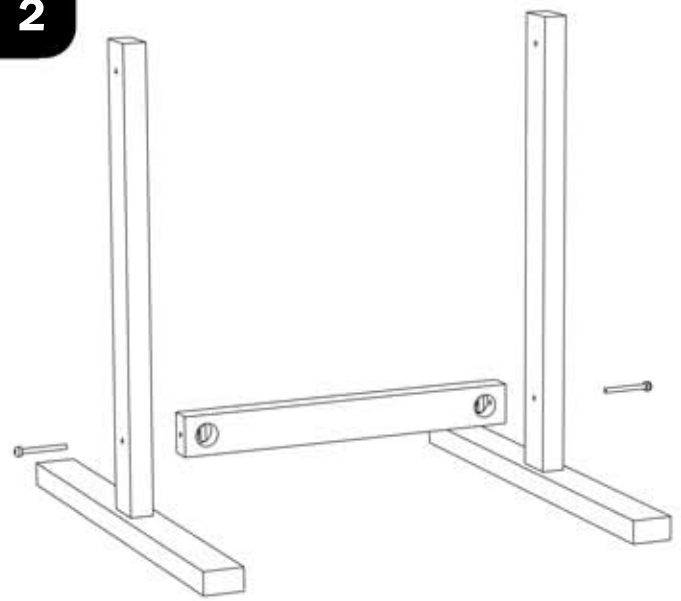


1



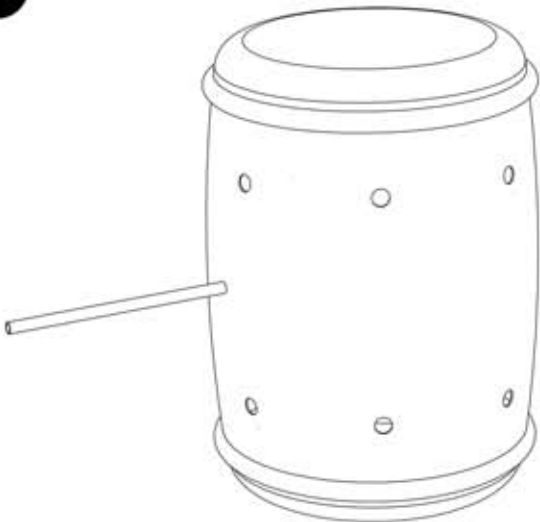
**Attach the uprights into the feet using the nuts...**

2



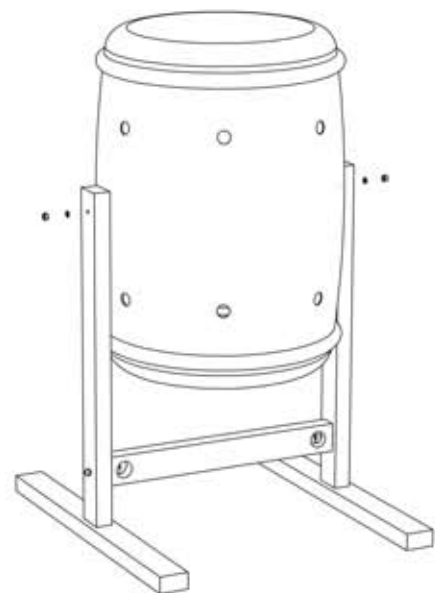
**Insert the 'V' nuts into the cross member and attach the bolts...**

3



**Insert the plastic tube through the tumbler...**

4



**Push the threaded bar through and attach at both ends...**